

Staniless Steel Commercial Baby Food Powder Machinery

Especificaciones :

Precio	Contact us
Nombre de la marca	LOYAL
Lugar de origen	China
Cantidad minima para ordenar	1
Términos de pago	T/T,L/C,D/P
Capacidad de suministro	100
Detalle de Envio	10-25 working days.
detalles del empaque	Wooden case or wooden pellets depended on clients' require

Introducción detallada :

1.What is Baby Food Powder Machinery?

The **baby food processing line** is researched and developed by our company based on the foreign advanced technology. This processing line transforms the method from raw grains cooking into high temperature and high pressure method, and then is extruded within five seconds. Meanwhile this processing line can denaturant the starch of the raw grains and be in favor of the absorption .It has the higher nutrition than the traditional craft.

The machine is a new designed that we make Baby Food Powder Machinery According to the old turnplate feeding one one side . This Auger filling within double lines has main and assist fillers The organanated feeding system can keep the high Proecision and Avoid the cleaning of the turntable. it can do the accurate weighting and filling work, and also could combined with other machines to buildup a whole can -packing production line. This machine could be used in filling mold powder ,albumne powder, condiment,dextrose,rice flour,cocoa powder,solid drink and so on.



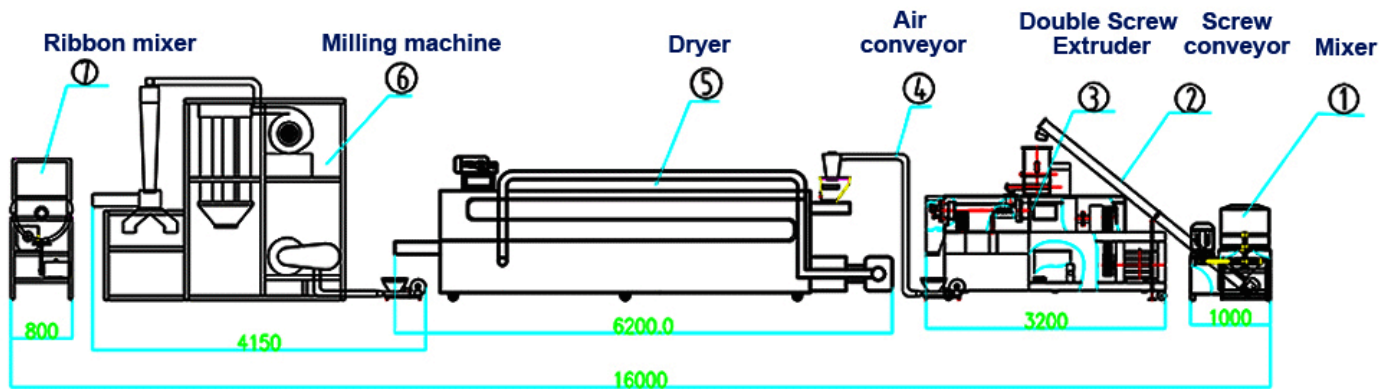
baby food processing line

2.Parameter of Baby Food Powder Machinery

Parameter of Baby Food Powder Machinery	
Brand Name:	Loyal
Place of Origin:	Shandong China
Certification:	CE,ISO9001,SGS?BV
Min.Order Quantity:	1 sets
Price:	Contact us
Packaging Details:	Wooden case or wooden pellets depended on clients' require
Delivery Time:	20days--35days
Payment Terms:	L/C,T/T,D/P
Supply Ability:	20days / Biscuit Line

3. Equipment List of Baby Food Powder Machinery

Mixer? Screw conveyor?Twin screw extruder ?Air conveyor? Dryer?Cooling conveyor?Air conveyor?Air compressor? Milling system



Equipment List of Baby Food Powder Machinery

4. Flow chart of Automatic Industrial Nutritional Snacks Baby Food Making Machine

We will design the whole instant porridge baby food processing line layout according to your factory size and structure.



baby food processing line layout

5. Photos of Baby Food Powder Machinery for your reference:



Baby Food Powder Machinery Finished Products



Baby Food Powder Machinery Finished Products

6. Technical Parameters of Baby Food Powder Machinery?

Technical Parameters of Baby Food Powder Machinery			
Model Parameter	LY 65-III	LY70-II	LY85-II
	Baby food processing line	Baby food processing line	Baby food processing line
Installed Capacity	74KVA	106KVA	204KVA
Power	40-50KW	55-65KW	65-75KW
Output	140-160KG/H	240-260KG/H	500-600KG/H
Dimesion	14*2*4m	14*2*4m	21*2*4

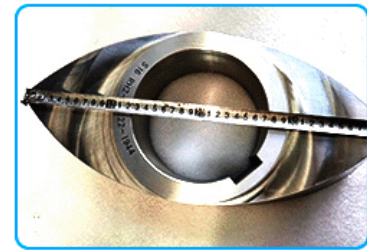
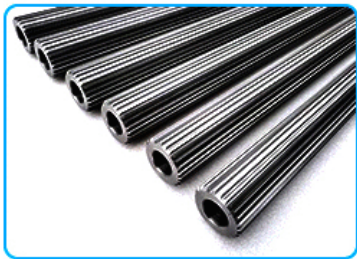
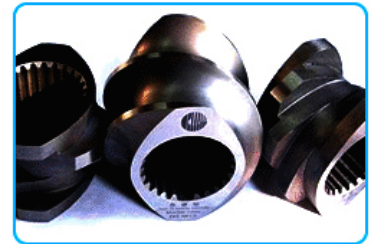
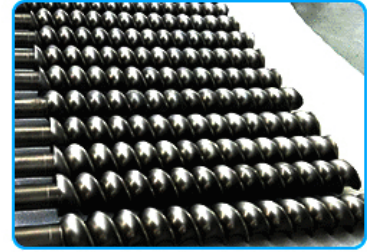
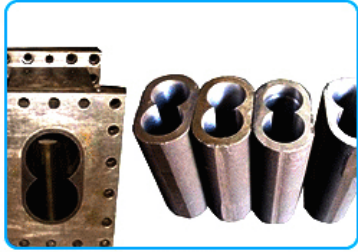
7. What is the Feature of Baby Food Powder Machinery?

- 1 Filling control By Servo Motor.
- 2 Suction system Machine to make the equipment Clean
- 3 Rejection device for the Jar or Bottle(Weight deviation)
- 4 Filling Height adjustable
- 5 Split Hopper
- 6 PLC and Contact Screen Control
- 7 The machine is Enclosed By stainless steel
- 8 Container transmit by rotary
- 9 Speical Device for stop Leaky
- 10 Filling head: Two(The capacity is higher than normal machine)
- 11 The machine has the vibration for the bottle

8. The Advantage Of Baby Food Powder Machinery?

The Advantage Of Baby Food Powder Machinery	
1	I slight weight, save labor, only 1-2 workers are required.
2	I compact structure, save space
3	I Easy Operating, easy to learn
4	I twin-screw
5	I High Productivity, high efficiency
6	I Stainless Steel, easy to learn

9. The details of Baby Food Powder Machinery



The details of Baby Food Powder Machinery



The details of Baby Food Powder Machinery

Details of some machines

Details of some machines in The baby food processing line

1	Double screw Extruder	When the mixed raw materials are extruded under high-temperature and high-pressure environment and twin-screws, the starch structure in the raw materials changes and becomes easily absorbed nutrients, which are extruded through the feed mold and adjusted by rotary cutting the speed of the motor until the speed of the feed pellets of the same size. The specific particle size and shape are obtained by replacing the mold. The feed extruder adopts advanced frequency conversion speed regulation technology, which is more energy-saving and the speed control is more accurate. The current and speed of the motor can be directly seen through the inverter panel to ensure the safety of the equipment.
2	Multi-layers oven	Drying the core filled snack to longer the shelf life,the oven is divided into electric oven, fuel oven, gas oven and steam oven. The temperature is adjusted between 0 and 150 degrees by the control cabinet. The interior of the oven is stainless steel mesh belt, which has stable transmission and low failure rate .

What the Baby Food Powder Machinery Has Been Loyal Sold In 2021?

Customer Case Of Stainless Steel Commercial Baby Food Powder Machinery At 2021	
1	600kg/h Baby Food Powder Machinery 100kg/h in Belarus manufacturer
2	50kg/h Baby Food Powder Machinery for sale in Austria manufacturer
3	100kg/h Baby Food Powder Machinery to Sri Lanka
4	500-600kg/h Stainless Steel Commercial Baby Food Powder Machinery for customer's factory
5	100kg/h Stainless Steel Commercial Baby Food Powder Machinery sold in Russia
Customer Have Factory Case Of Baby Food Powder Machinery At 2021	
1	200kg/h Stainless Steel Commercial Baby Food Powder Machinery for sale in bolivia for customer's factory
2	Mozambique 150kg/h Stainless Steel Commercial Baby Food Powder Machinery to Lithuania
3	300kg/h Stainless Steel Commercial Baby Food Powder Machinery for sale in Portugal manufacturer
4	Mozambique 250kg/h stainless Steel Commercial Baby Food Powder Machinery manufacturer
5	600kg/h Stainless Steel Commercial Baby Food Powder Machinery for sale in North Korea for customer's factory

baby food processing line video